

Kamen Kali on Euro plates 80 series



Product Code: KKA-PR80-SC

Description:

With masculine yet sophisticated proportions, the Kamen Kali demonstrates that versatile elegance doesn't always need to be soft. Fusing an industrial aesthetic with the perception of delicate craftsmanship, the Kamen cabinet handle was inspired by the increasing popularity of high-end residential warehouse conversions. Mounted on a classic, oval plate, it offers a contemporary look with a classic touch.

Compliance:  

Size Selected:

Plain

Dimensions:

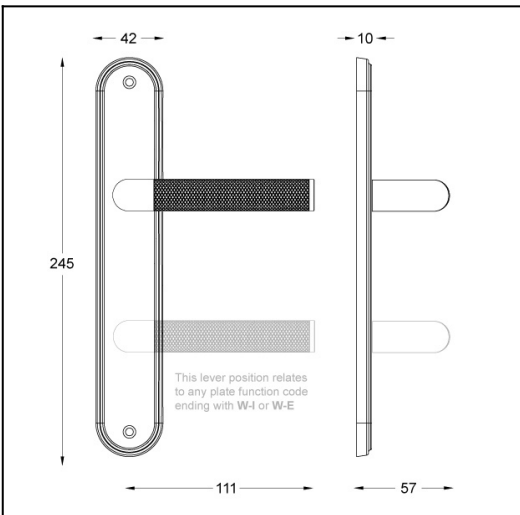
Overall h250 x w131 x d57 mm (see line drawing download)

Finish:

Satin Chrome



<http://www.designerdoorware.com.au/catalogue/59225>



Line Drawings

As a generic representation of the product, Line Drawings are designed for general use only and may not reflect specifics for all product options such as individual functions or sizes etc.

Contact Us

For any further clarification of this product information or for help and advice, please call us on +613 9300 8888.

Designer Doorware reserves the right to make changes in design, specification, or additions and improvements to our products without notice. Under no circumstances is Designer Doorware obliged to manufacture current products as previously supplied. Designer Doorware is not responsible for additions, alterations or assembly made to our products by others. By downloading this information, you accept and are bound by the Terms & Conditions of this website.

For full Terms & Conditions and Product Warranty information refer to www.designerdoorware.com.au.

© Designer Doorware - 7 Kimpton Way, Altona VIC 3018 Australia.